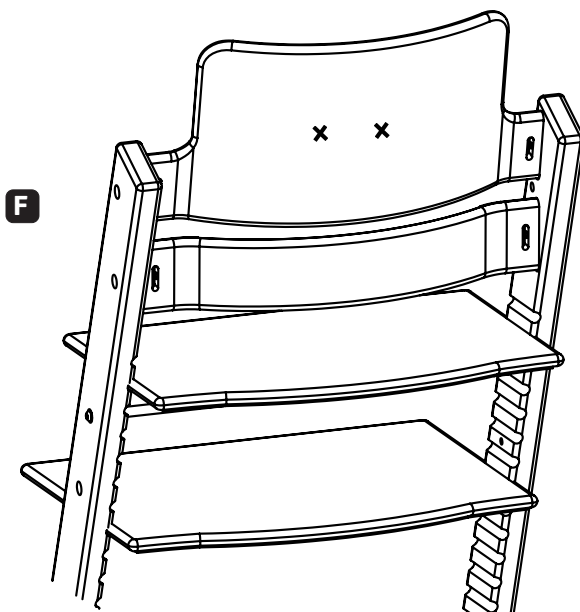
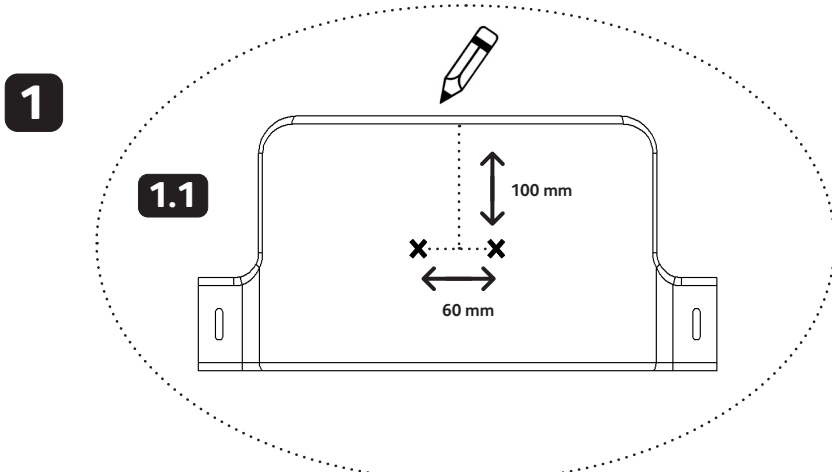
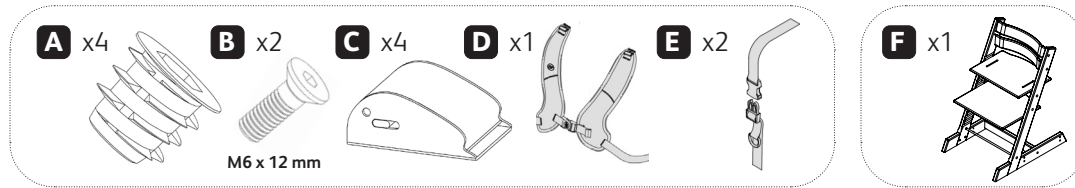
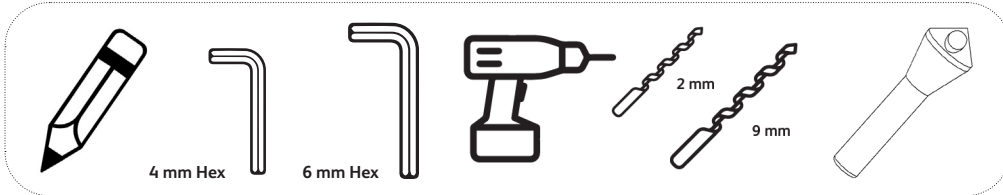


Breezi

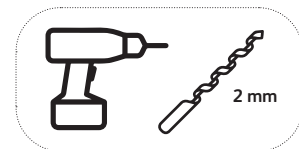
How to Fit

Anterior Trunk Support

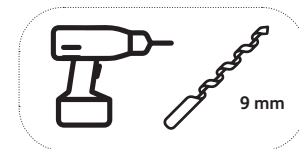


=

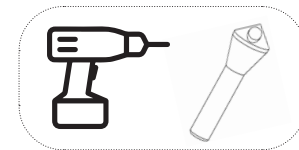
1.2

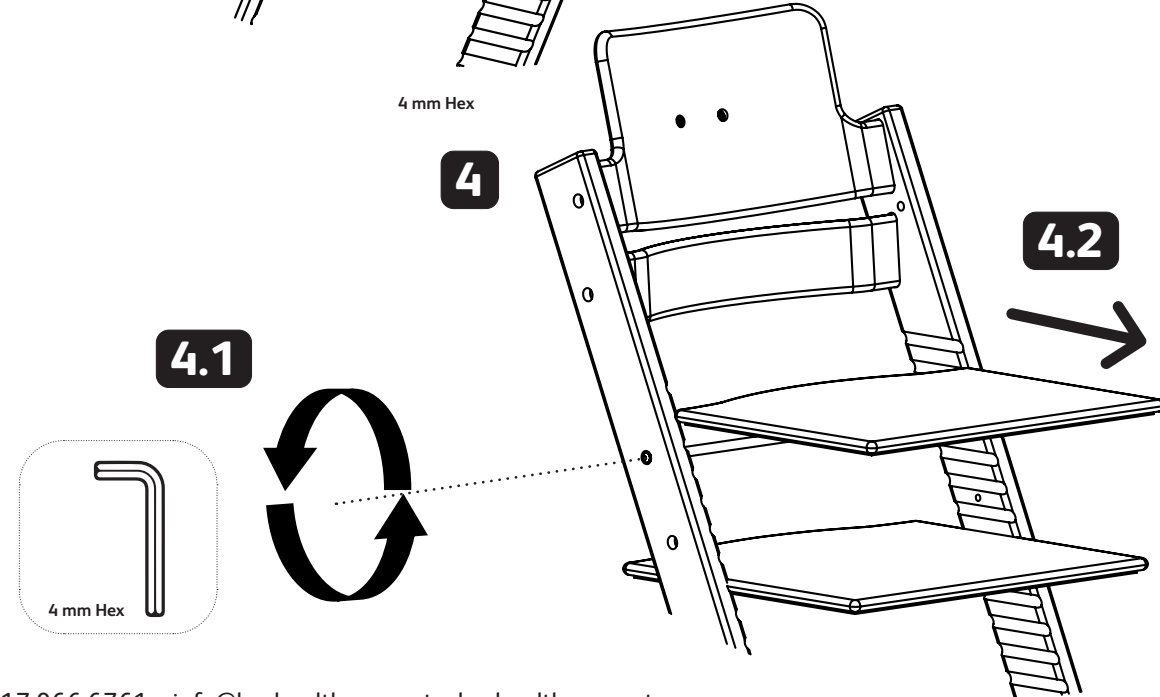
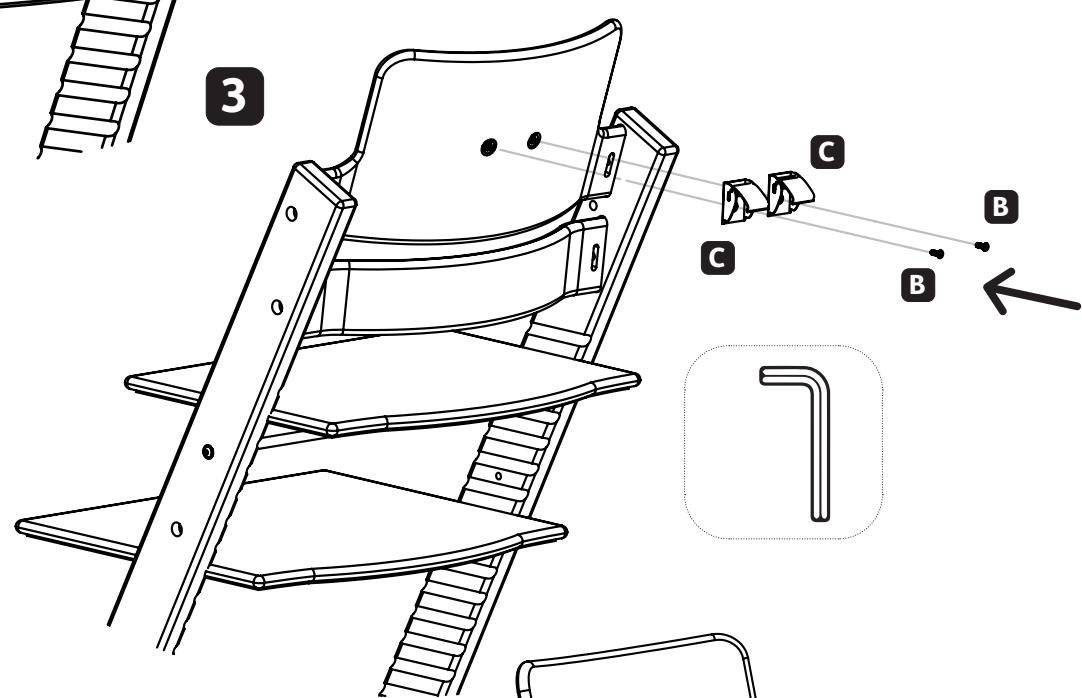
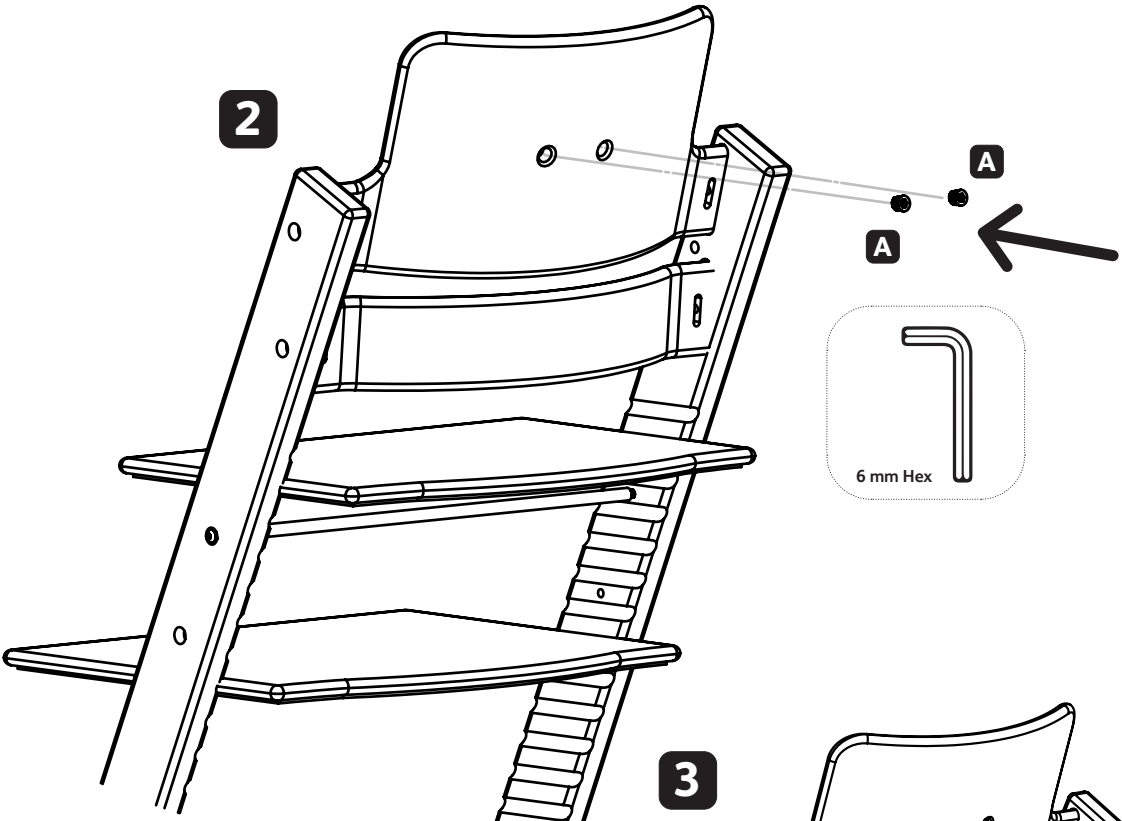


1.3



1.4





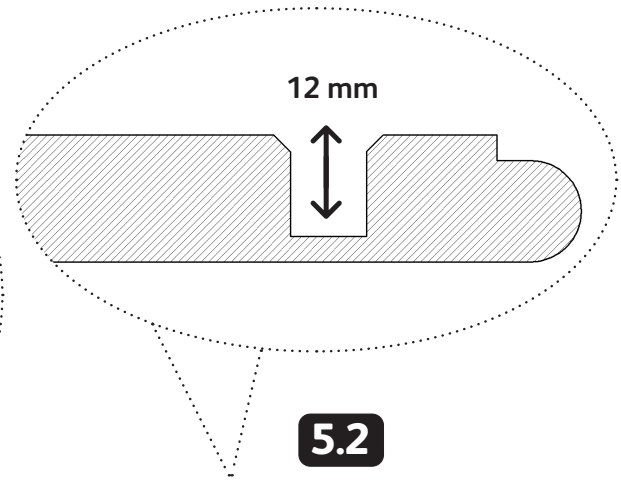
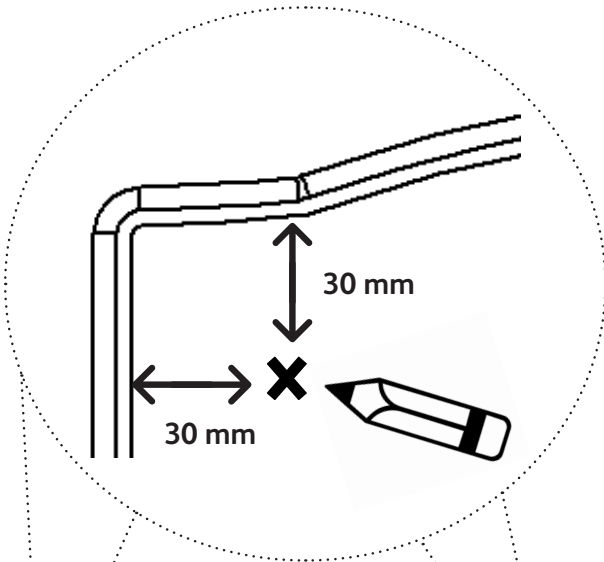
BES Healthcare Ltd 0117 966 6761 info@beshealthcare.net beshealthcare.net

131 South Liberty Lane, Ashton Vale, Bristol, BS3 2SZ UK © 2021

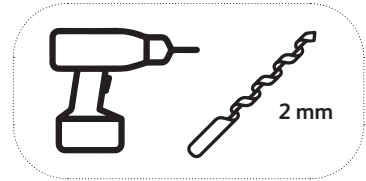
ByBESIn014 How to Fit Anterior Trunk Support V1 20211012



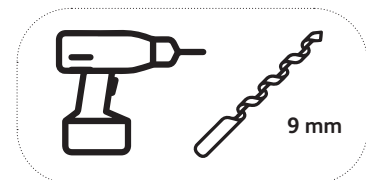
5



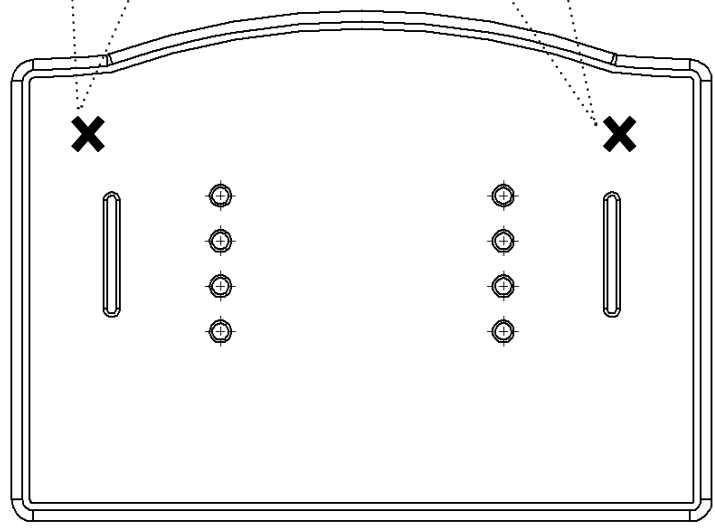
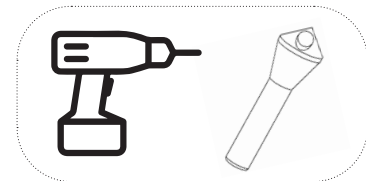
5.2



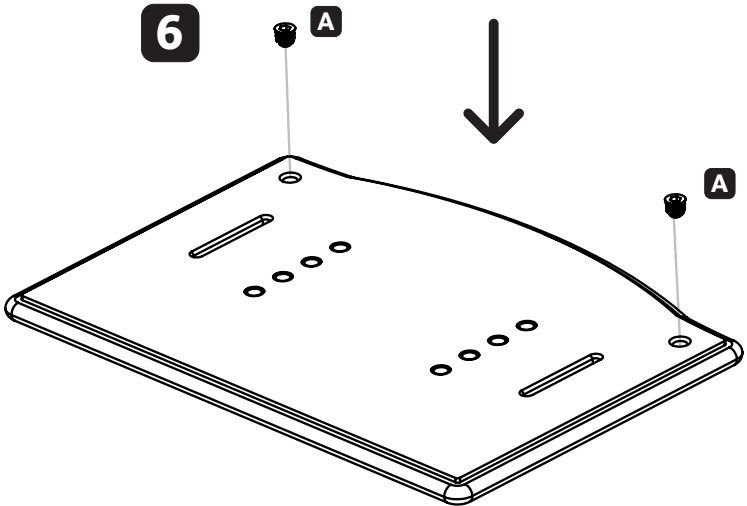
5.3



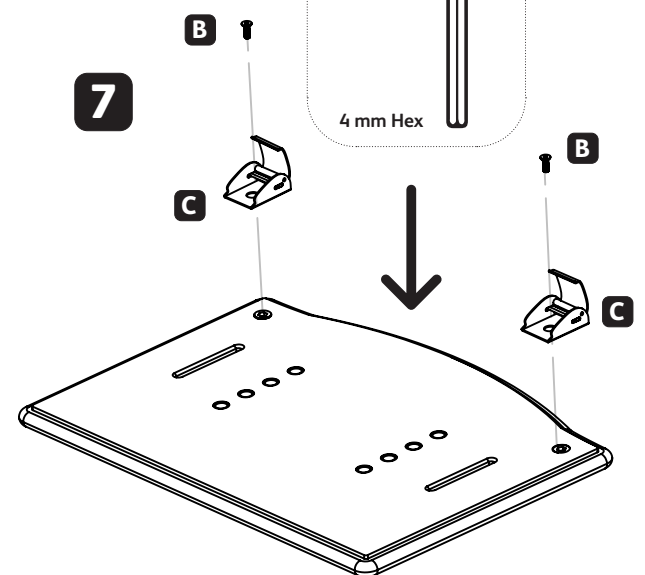
5.4



6



7

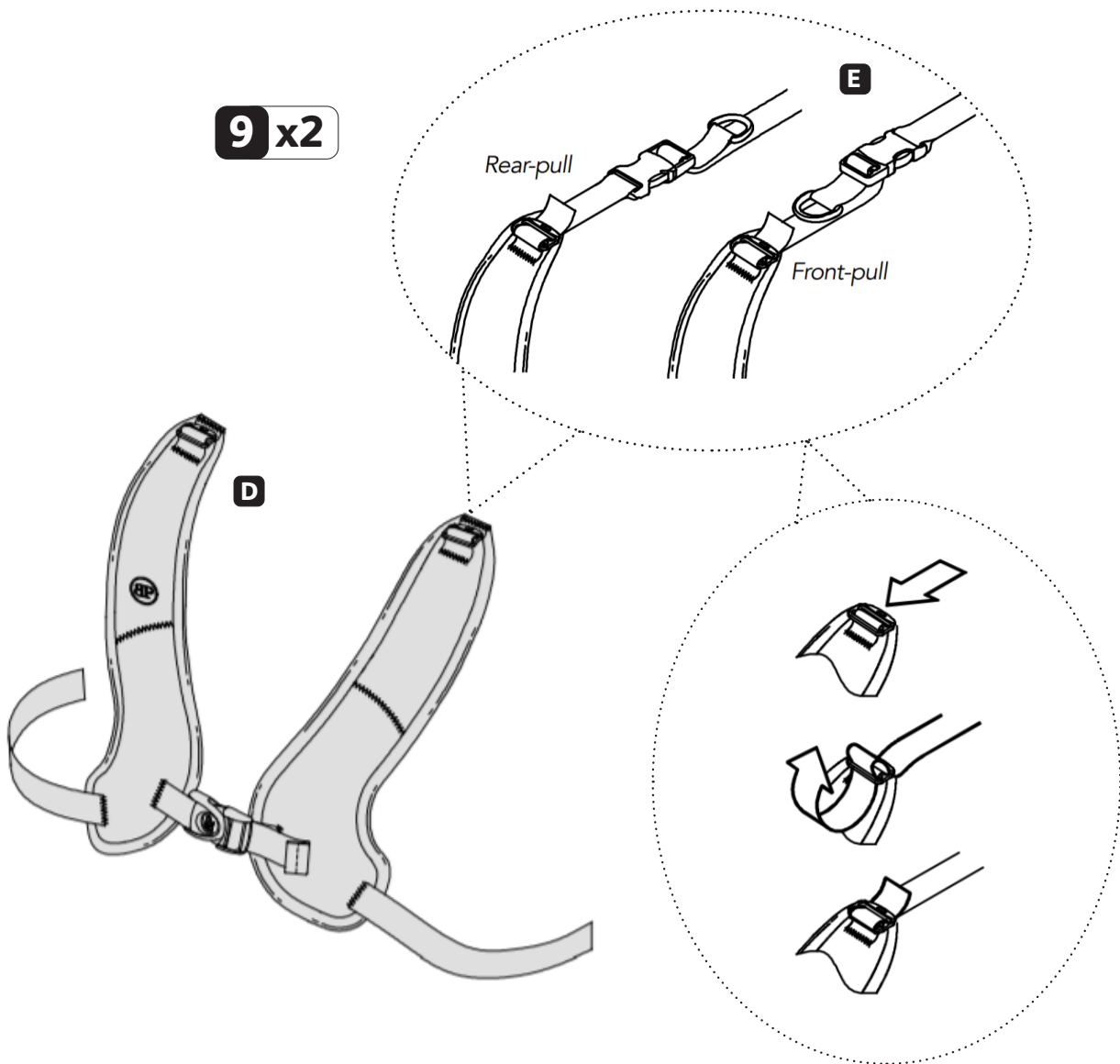
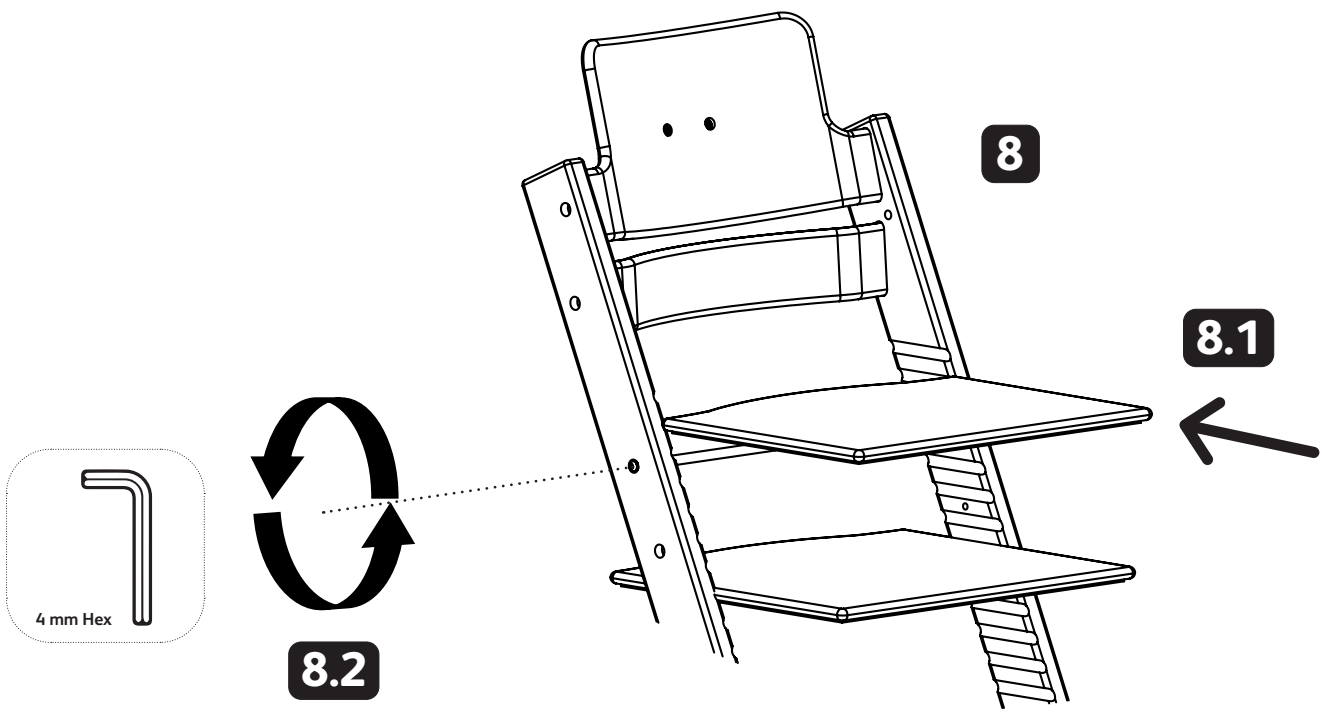


BES Healthcare Ltd 0117 966 6761 info@beshealthcare.net beshealthcare.net

131 South Liberty Lane, Ashton Vale, Bristol, BS3 2SZ UK © 2021

ByBESIn014 How to Fit Anterior Trunk Support V1 20211012





10

